



PROJECT		REF		REV	ITEM CODE	
LOCATION		DATE			PAGE	

SANITARY WARE SPECIFICATION SHEET

Item Descriptions	GROHE (Germany) "Eurodisc Cosmopolitan" Chrome plated 3/8" single lever sink mixer with pull-out dual spray; nominated flow rate 4.8 L/min in WELS Grade 1; Registration No. TM 19-0003
Dimensions	L222 x W51 x H260 mm
Model	32257002
Finish / Material	Chrome Plated
Country of origin	Germany
Manufacturer	GROHE Limited
Supplier	Acme Sanitary Ware Co. Ltd Mr. Eric Wong/ Mr. Don Yuen
Contact Tel/Fax	(852) 2388-7171 / (852) 2710-8012
E-mail	acme@acmesanitary.com.hk
Website	www.acmesanitary.com.hk

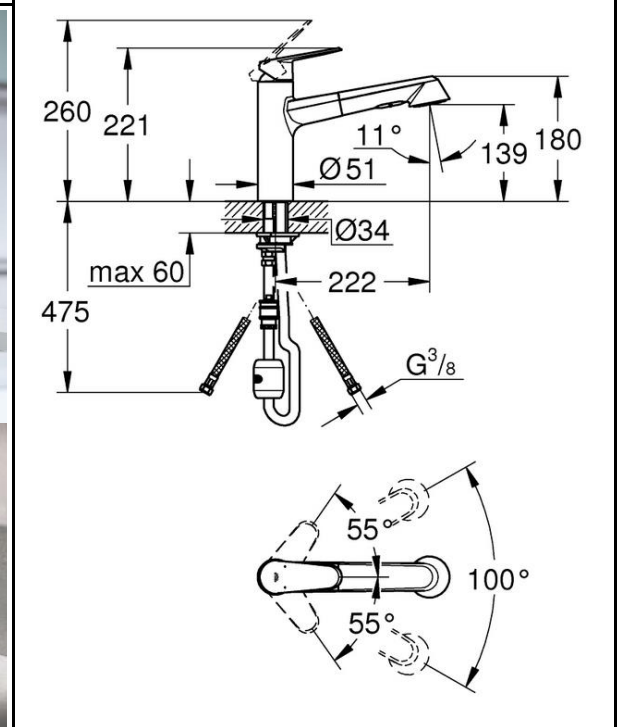
Illustration/ Drawing





- 
- 
- 
- 
- 

"Eurodisc Cosmopolitan" 3/8" single lever mixer

- medium spout
- monobloc installation
- **GROHE StarLight** finish
- **GROHE SilkMove** 35 mm ceramic cartridge
- pull-out dual spray
- diverter: mousseur/shower jet
- automatic return to mousseur
- adjustable flow rate limiter
- swivel cast spout
- swivel area 100°
- protected against backflow
- flexible connection hoses
- rapid installation system

Note:  [GROHE 32257002](https://www.youtube.com/watch?v=wa7I3iOTDNk) <https://www.youtube.com/watch?v=wa7I3iOTDNk>
 [Eurodisc Cosmopolitan kitchen mixer](https://www.youtube.com/watch?v=oRsLWD3Zbh0) <https://www.youtube.com/watch?v=oRsLWD3Zbh0>

* All information of the above is for the reference only. No prior notice is made if any changes.



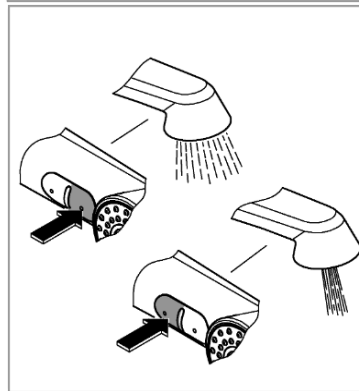
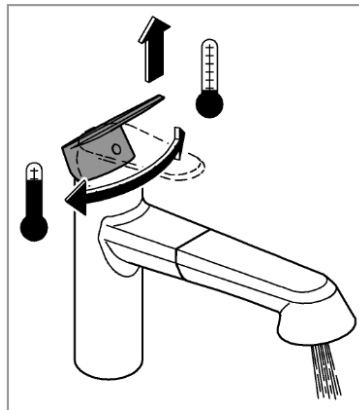
PROJECT		REF		REV	ITEM CODE	
LOCATION		DATE			PAGE	

SANITARY WARE SPECIFICATION SHEET

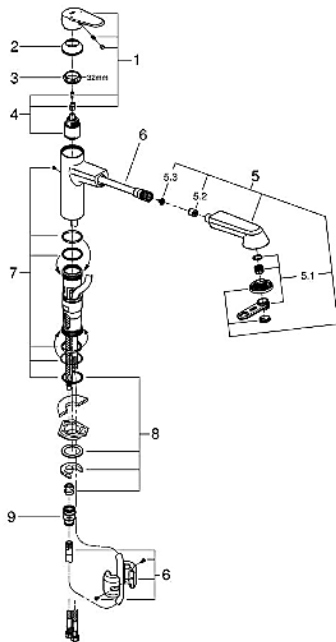
GROHE EURODISC COSMOPOLITAN

VERSATILE & MEANINGFUL

Confidence across the board. Eurodisc Cosmopolitan fittings stand out as a result of their superior styling and their extensive product range, all boasting the "Made in Germany" seal of quality. This collection allows you infinite creativity in your quest for a personalised bathroom. The sweeping lines of the washbasin faucet allow comfortable, splash-free hand-washing. Refreshingly elegant details and technical sophistication are also available for the shower and bath areas. Single-lever faucets, a complete shower system and a convenient shower caddy are just a few examples. Eurodisc Cosmopolitan turns your bathroom into a comfortable living zone.



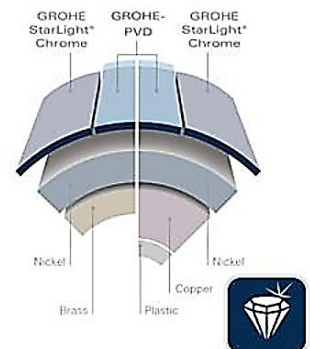
SPARE PARTS



Pos.-nr.	Prod. description	Order-nr.
1	Lever	46738000
2	Cap	46492000
3	Screw ring	46815000
4	Cartridge	46374000
5	Pull out spray	46769000
5.1	Mousseur	46711000
5.2	Non-return valve	08565000
5.3	Dirt strainer	0676800M
6	Shower hose	48293000
7	Seal kit	46760000
8	Shank fastening assembly	46346000
9	Coupling piece	46338000
10	Socket spanner	19332000*

* Optional accessories

GROHE StarLight®



GROHE surface hardness



GROHE scratch resistance



Note:

* All information of the above is for the reference only. No prior notice is made if any changes.

註冊號碼 (Registration No.): TM 19-0003



自願參與用水效益標籤計劃 - 水龍頭
Voluntary Water Efficiency Labelling Scheme - Water Taps



茲證明
This is to certify that

將下列水龍頭在本計劃內註冊：
has registered the following water tap under this scheme :

牌子 / Brand	:	GROHE
型號 / Model	:	32257002 + 64647040
種類 / Type	:	Mixing
原產地 / Country or Region Origin	:	Portugal

在用水效益標籤上展示的標誌 <i>Symbolic Presentation on the Water Efficiency Label</i>	:		滴水點 <i>Water droplet(s)</i>
用水效益級別 <i>Water Efficiency Grade</i>	:	1	
耗水量 <i>Water Consumption</i>	:	4.8	公升/分鐘 <i>litres/minute</i>

簽發日期: 11 January 2019
Date of Issue:

水務署
Water Supplies Department



水務署署長(陳仲勤代行)
for Director of Water Supplies



水務署
Water Supplies Department

總部 Headquarters

香港灣仔告士打道七號入境事務大樓 48 樓

48/F, Immigration Tower, 7 Gloucester Road, Wan Chai, Hong Kong



WSD 3321/18 Pt.1 T/J(394)

電話

Tel.

傳真

Fax.

: 2824 0578

27 November 2018



Approval of "GROHE" Sink Mixer (General Acceptance No. C20180806)

Your letter ref. WRC/1713 dated 16 April 2018 and subsequent submission received by this department on 23 July 2018 refer.

Having considered the test report ref. J20251r3 issued on 12 July 2018 by Nutek Systems (HK) Ltd., this Authority accepts that the fitting described below complies with, and its use when correctly installed does not contravene, the Waterworks Ordinance and Regulations.

Name of Manufacturer: Grohe AG

Country of Origin: Portugal

Brand: Grohe

Details of Fitting:

3/8" Single lever sink mixer supplied with:

- 1) 1 no of 407500040 plastic fabric hose (tested by Nutek Systems (HK) Limited under ref. J21700)
- 2) 2 nos of Neoperl GmbH – Neoflex SPX DN6 G3/8" flexible connection hoses approved by UK's WRAS under certificate no. 1506306



Model: 32257002

Body Markings: 

Expiry Date: 16 March 2022 (for mixer + hose (1))
30 June 2020 (for hose (2))

This Authority hereby permits the use of the above fitting in fresh water plumbing systems subject to full adherence to Waterworks installation requirements. In particular, you are required to draw your customers' attention to the following requirement-

"The cold water supply to the fitting shall be drawn from the same source that supplies the hot water apparatus so as to provide a balanced pressure and to obviate the risk of scalding in the event of a restriction or failure in the water supply."

A condition of this acceptance is that the fitting to be installed shall be replicas of the sample as certified by the testing agent mentioned above and without modifications. This acceptance may be withdrawn at any time if the standard of the fitting installed fails to meet that of the approved sample or if the fitting is found to be unsuitable for use in fresh water plumbing systems.

This acceptance is only applicable to the main body of the fitting, unless other specified.

For the use of the fitting in any project, the General Acceptance Number of this letter must be quoted as a means of identification of acceptance of the fitting by this Authority.

Should you have any enquiries, please contact our Engineer Mr. Terry KUNG at tel. no. 3583 4086.

Yours faithfully,



(CHAN Chung-kun)

for Director of Water Supplies

Encl.

c.c. WSD 3321/1/82] - without catalogue
ME/MC] - with soft copy only